

DHK060 Series---Through Bore Slip Ring

DHK060 Description:

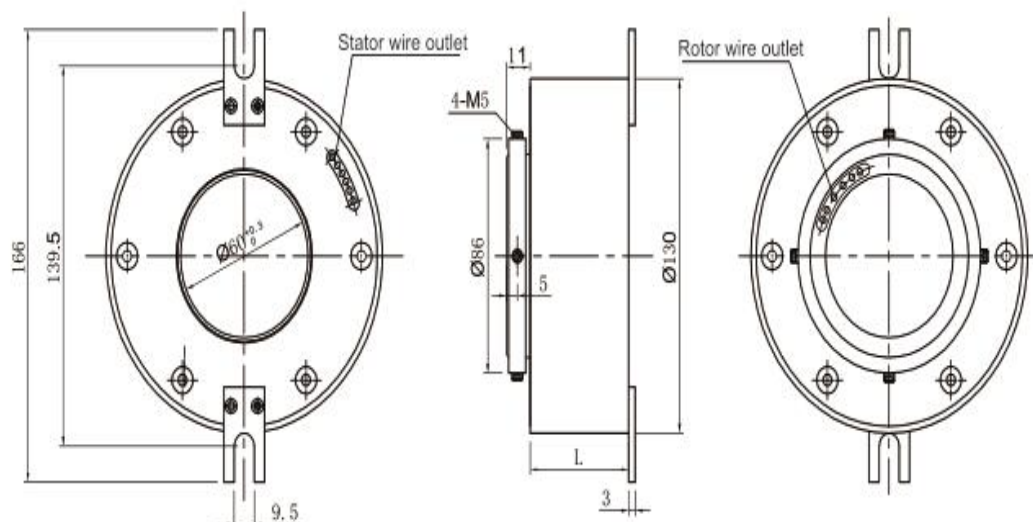
DHK060 product with through bore 60 mm, OD130 mm, suitable for rotating application, support 1-108 ring, signal (2A-20A/ring).



DHK060 Customized Options:

- ◆ Inner diameter, outer diameter, length
- ◆ Working speed
- ◆ Number of paths
- ◆ Current, voltage
- ◆ Shell material and color
- ◆ Protection level
- ◆ Signal and power can be transmitted separately or mixed

DHK060 2D Standard Drawing :



DHK060 Technical Parameters:

Product Grade Table			
Product grade	Working speed	Working life	
General	0 ~ 200 rpm	20 million revolutions	
Industrial	300 ~ 1000rpm	60 million revolutions	
Technical Parameters			
Electrical technical		Mechanical technical	
Parameters	Value	Parameters	Value
Number of rings	Custom	Working temperature	-40°C ~ +65°C
Rated current	2A,5A,10A,15A,20A	Working humidity	< 70%
Rated voltage	0 ~ 240VAC/VDC	Protection level	IP54
Insulation resistance	≥1000MΩ@500VDC	Shell material	Aluminum Alloy
Insulation strength	1500VAC@50Hz,60s,2mA	Electrical contact material	Precious metals
Dynamic resistance change value	< 10mΩ	Lead specification	Colored Teflon
Working speed	0-600rpm	Lead length	500mm+20mm

DHK060 Series Recommend Products by Ingiant

Item No.	Ring Number	2A Length	5A Length	10A Length	15A Length	20A Length	25A Length
DHK060-6	6	43.4	44.6	46.4	49.4	52.4	55.4
DHK060-12	12	55.4	57.8	61.4	67.4	73.4	79.4
DHK060-18	18	67.4	71	76.4	85.4	94.4	103.4
DHK060-24	24	79.4	84.2	91.4	103.4	115.4	127.4
DHK060-30	30	91.4	97.4	106.4	121.4	136.4	151.4
DHK060-36	36	103.4	110.6	121.4	139.4	157.4	175.4
DHK060-42	42	115.4	123.8	136.4	157.4	178.4	-
DHK060-48	48	127.4	137	151.4	175.4	199.4	-
DHK060-54	54	139.4	150.2	166.4	193.4	-	-
DHK060-60	60	151.4	163.4	181.4	211.4	-	-
DHK060-66	66	163.4	176.6	196.4	-	-	-
DHK060-72	72	175.4	189.8	211.4	-	-	-
DHK060-78	78	187.4	203	-	-	-	-
DHK060-84	84	199.4	216.2	-	-	-	-
DHK060-90	90	211.4	229.4	-	-	-	-
DHK060-96	96	223.4	242.6	-	-	-	-
DHK060-102	102	235.4	-	-	-	-	-
DHK060-108	108	247.4	-	-	-	-	-

Conductor Specification:2A with AWG26# color Teflon conductor ,5A with AWG22# color Teflon conductor



A leader of slip ring & rotary joint manufacturer

10A uses AWG18#color Teflon conductor (or AWG16# flexible color PVC insulated conductor)

15A uses AWG16# color Teflon conductor (or AWG14# flexible color PVC insulated conductor)

20A uses AWG14# color Teflon conductor.Length of product combinations with arbitrary number of channels(n2,n5,n10,n15,n20)(mm):

$$L=15.4+2*n2+2.2*n5+2.5*n10+3*n15+3.5*n20$$