

DHS025-30 Series---Solid Flange Slip Ring

DHS025-30 Description:

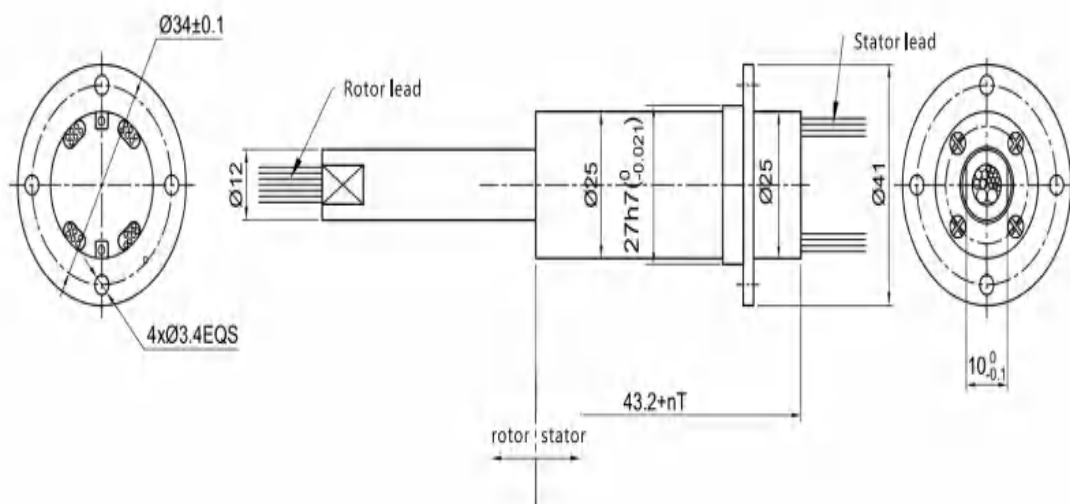
DHS025 product with solid-shaft, OD 25 mm, suitable for rotating application, support 0-50 ring, signal (0-5A/ring).



DHS025-30 Customized Options:

- ◆ Inner diameter, outer diameter, length
- ◆ Working speed
- ◆ Number of channels
- ◆ Current, voltage
- ◆ Wire length, connection terminals
- ◆ Shell material and color
- ◆ Protection level
- ◆ Signal and power can be transmitted separately or mixed

DHK025-30 Standard Drawing :



DHS025-30 Technical Parameters:

Product Grade Table			
Product grade	Working speed	Working life	
General	0 ~ 200 rpm	10 million revolutions	
Industrial	300 ~ 1000rpm	30 million revolutions	
Technical Parameters			
Electrical technical		Mechanical technical	
Parameters	Value	Parameters	Value
Number of rings	30 Ring or Custom	Working temperature	-40°C ~ +65°C
Rated current	8 Ring-5A, Other 2A	Working humidity	< 70%
Rated voltage	0 ~ 240VAC/VDC	Protection level	IP51
Insulation resistance	≥500MΩ@500VDC	Shell material	Stainless steel
Insulation strength	500VAC@50Hz, 60s, 2mA	Electrical contact material	Precious metals
Dynamic resistance change value	< 10mΩ	Lead specification	5A with AF-0.35 mm ² , AF-0.15mm ²
Working speed	0-300rpm	Lead length	200mm+20mm

DHS025-30 Series Wire Color Table by Ingiant

Wire Specification Table				
Rated current	Wire size (AWG)	Conductor size (mm ²)	Wire color	Wire diameter
≤2A	AWG26#	0.15	Red, yellow, black, blue, green, white, brown, gray, orange, purple, light red, transparent	Φ1
3A	AWG24#	0.2	Red, yellow, black, blue, green, white, brown, gray, orange, purple, light red, transparent, blue white, white red	Φ1.3
5A	AWG22#	0.35	Red, yellow, black, blue, green, white, brown, gray, orange, purple, light red, transparent, blue white, white red	Φ1.3
6A	AWG20#	0.5	Red, yellow	Φ1.4
8A	AWG18#	0.75	Red, yellow, black, brown, green, white, blue, gray, orange, purple	Φ1.6
10A	AWG16#	1.5	Red, yellow, black, brown, green, white	Φ2.0
15A	AWG14#	2.00	Red, yellow, black, brown, green, white	Φ2.3
20A	AWG14#	2.5	Red, yellow, black, brown, green, white	Φ2.3
25A	AWG12#	3.00	Red, yellow, black, blue	Φ3.2
30A	AWG10#	6.00	Red	Φ4.2
> 30A	Use multiple AWG12# or multiple AWG10# wires in parallel			

Lead wire length description:

1.500+20mm (General requirement: Measure the wire length from

the end face of the wire outlet hole of the inner and outer rings of the slip ring).

2.Length as required by the customer:

L<1000mm, Standard L+20mm

L>1000mm, Standard L+50mm

L>5000mm, Standard L+100mm