

DHS135-53-2Q Series-Pneumatic-electrcial Slip Ring

DHS135-53-2Q Description:

DHS135-53-2Q product with 2 pneumatic channels,G3/8 inch,with 53 signal channels ,suitable for rotating application,working speed 300rpm.

DHS135-53-2Q Customized Options:

- ◆Cable length
- ◆Number of channels
- ◆Signal Type
- ◆Number of Fluid passage
- ◆Shell Material
- ◆Working medium



Typical Application:

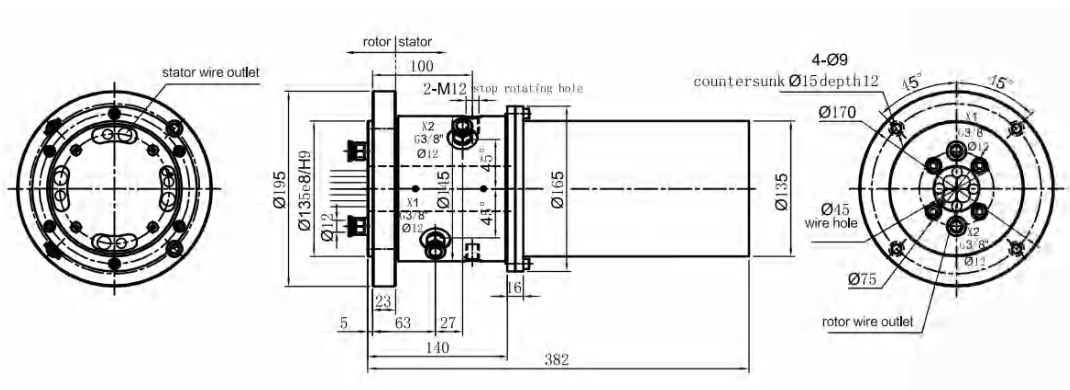
Industrial robots - spray robots used on assembly lines need to use gas-electric slip rings to receive instructions from the control system while obtaining sufficient compressed air to ensure normal spraying operations.

Medical devices - During endoscopic examinations, in order to maintain image quality and protect sensitive components from the internal environment, designs with gas-electric combined slip rings

are often used to ensure that all necessary power and air sources can be safely and effectively transmitted to the probe part

Wind power generation - the variable pitch control system on the top of the tower must rely on gas-electric combined slip rings to maintain an unobstructed communication link with the ground, and also ensure that the appropriate amount of hydraulic oil or compressed air can be supplied to the corresponding actuators in a timely manner.

DHS135-53-2Q Standard Drawing :



DHS135-53-2Q Technical Parameters:

Pneumatic Channel Parameters			
No of Channels	2 Ring or Custom		
Interface Thread	G3/8"		
Flow Hole	Φ10		
Medium	Compressed air		
Working Pressure	1.1Mpa		
Working Speed	≤30rpm		
Working temperature	-30°C ~ +80°C		
Electrical technical		Mechanical technical	
No of Channels	53 rings or Custom	Speed range	0-300rpm
Rated Current	5 Circuit for 2A	Protection level	IP51
Rated Voltage	0-380VAC/240VDC	Structural material	aluminum alloy
Contact resistance variation	< 10mΩ	Working humidity	< 70%
Insulation resistance	1000MΩ@1000VDC	Electrical contact material	Precious metal
Electrical strength	1500VAC@50Hz,60s,1mA		
Working temperature	-20°C ~ +80°C		