

HS-1F-002 Series---Fiber Optic Slip Ring

HS-1F-002 Description:

HS-1F-002 product with 1 fiber optic channels, bandwidth $\pm 50\text{nm}$, suitable for rotating application, working wavelength 850-1550nm.



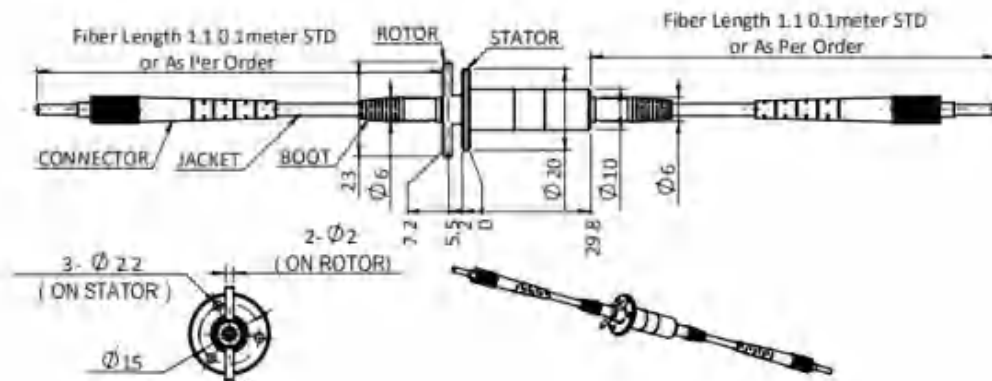
HS-1F-002 Customized Options:

- ◆ Various fiber sizes and patch cord lengths
- ◆ Fiber types
- ◆ Fiber connectors
- ◆ Fiber lengths
- ◆ Number of fiber channels

Typical Application:

High-end robots, high-end material conveying systems, rotating turrets on military vehicles, remote control systems, radar antennas, fiber optic sensors and other turntables (rate tables) for high-speed video, digital, and analog signal transmission and control, medical systems, video surveillance systems, submarine operation systems to ensure national or international security systems, emergency lighting equipment, robots, exhibition/display equipment, medical equipment, etc.

HS-1F-002 Standard Drawing :



HS-1F-002 Technical Parameters:

Technical Parameters			
Fiber Optic technical		Mechanical technical	
Parameters	Value	Parameters	Value
Number of rings	1 Ring or Custom	Withstand tension	≤12N
Bandwidth	±50nm	Maximum speed	2000rpm
Wavelength range	850 ~ 1550nm	Estimated life	> 200 million rpm
Maximum insertion loss	< 1.5dB	Working temperature	-20 ~ +60°C
Insertion loss fluctuation	< 0.5dB	Storage temperature	-45 ~ 85°C
Return loss	≥50dB	Weight	15g
Withstand power	≤23dBm	Vibration and shock standard	GBJ150
Fiber Type	9/125 Single Mode	Protection level	IP54 (IP65 ,IP67 Option)